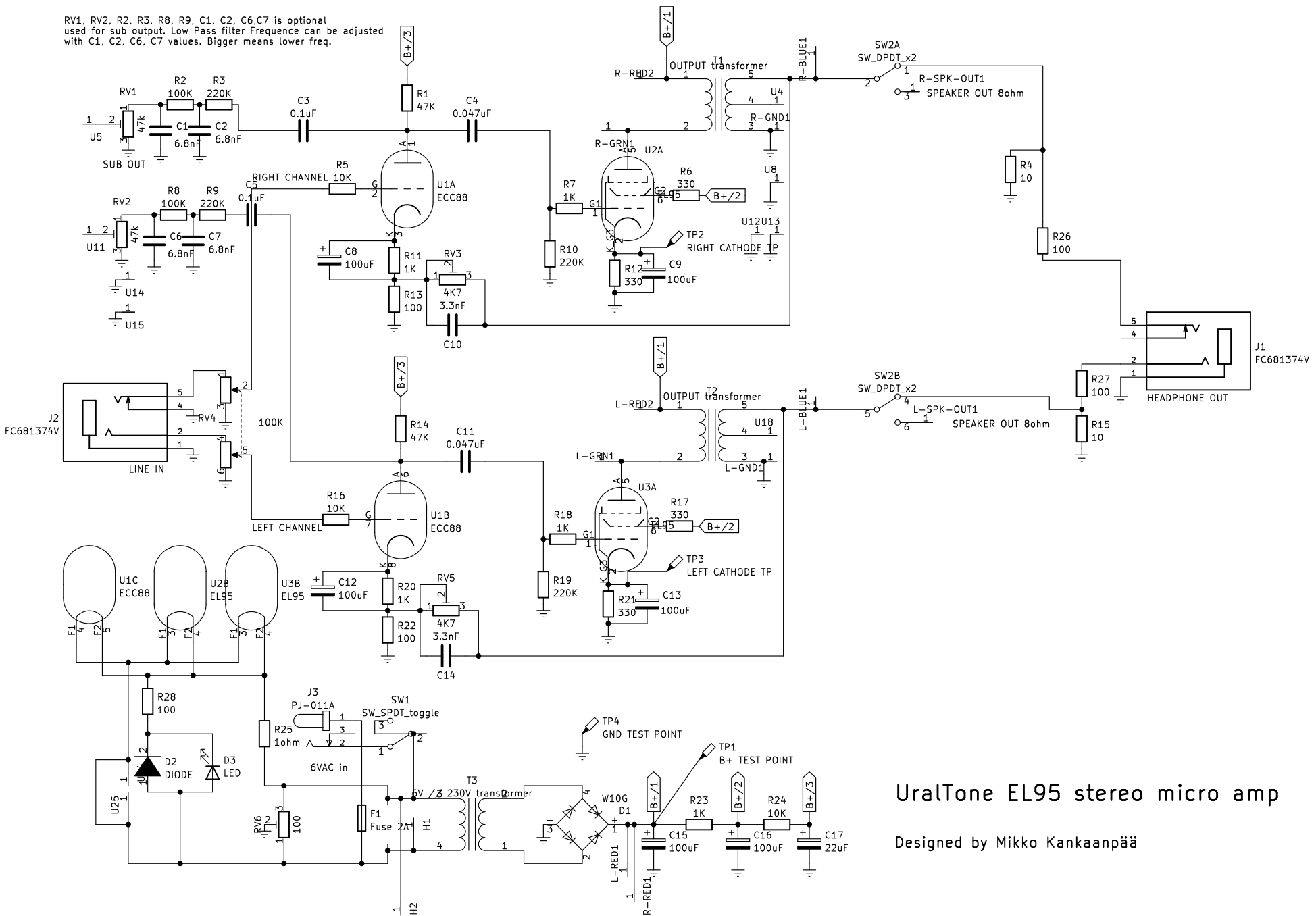


RV1, RV2, R2, R3, R8, R9, C1, C2, C6, C7 is optional used for sub output. Low Pass filter Frequency can be adjusted with C1, C2, C6, C7 values. Bigger means lower freq.



<https://uraltone.com>
URALTONE

UralTone EL95 stereo micro amp

Designed by Mikko Kankaanpää