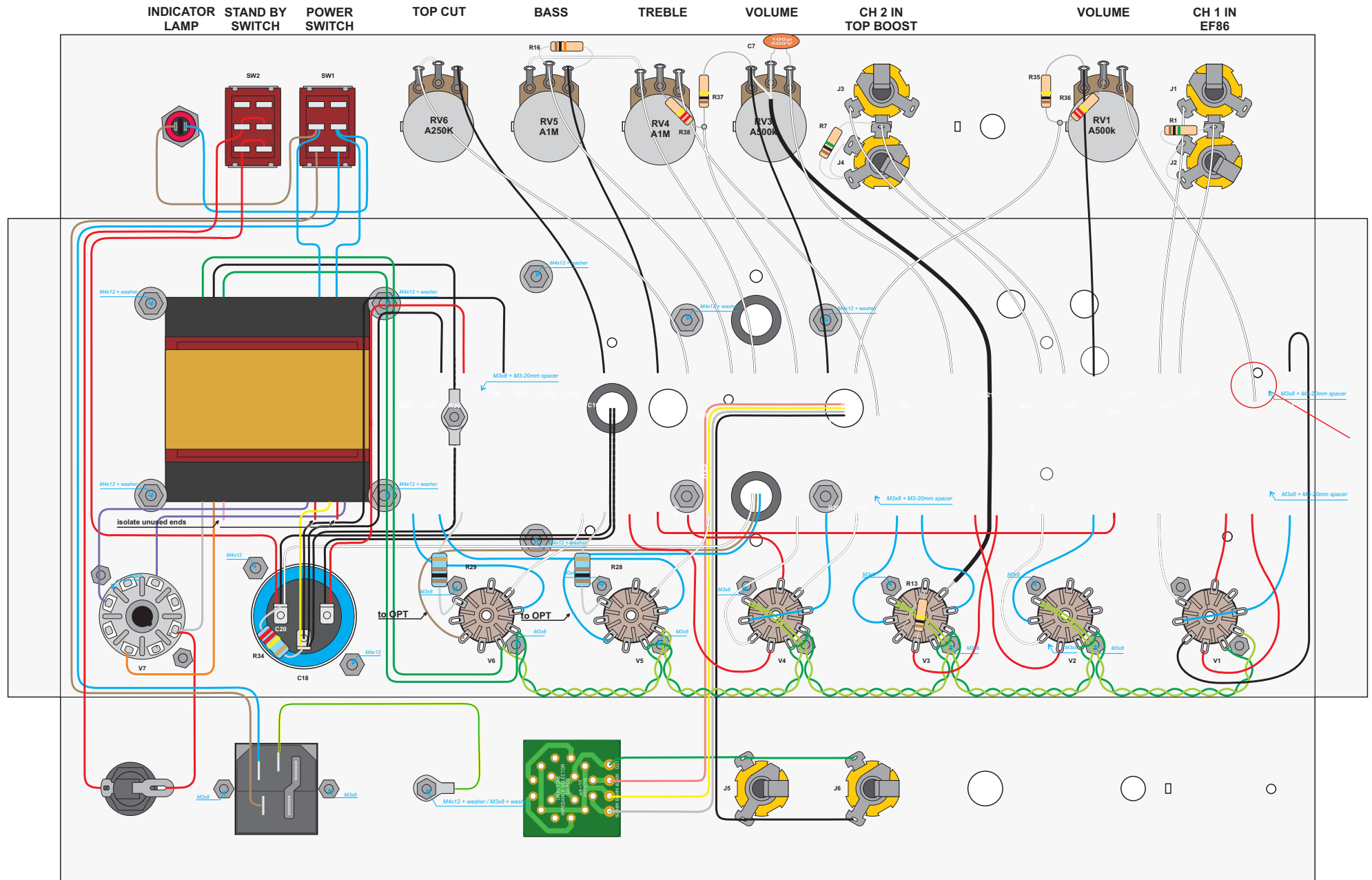


UralTone AC15 Layout



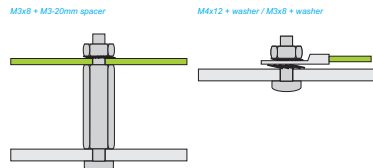
B+ FUSE
T500mA (Slow)
F1

230VAC IN
T2A (Slow)
F2

IMPEDANCE SWITCH
4 / 8 / 16 OHM
F2

SPEAKER OUT

SPEAKER OUT



— 4.5kV = DC Measure point with value, GND referred
— 1.8kV = AC Measure point with value, GND referred
— 1.8kV = AC Measure point with value, between points

All voltages measured on the testing points are referred to GND except the heaters at tube sockets. Allowed variation on measure points is 10%.

V1 = EF86 - Input tube, CH 1
 V2 = 12AX7 - Input tube, CH2
 V3 = 12AX7 - Driver for tone, CH2
 V4 = 12AX7 - Phase splitter
 V5 = EL84 - Output tube
 V6 = EL84 - Output tube

V7 = 5AR4 - Rectifier

— Wire above the board
- - - - Wire under the board