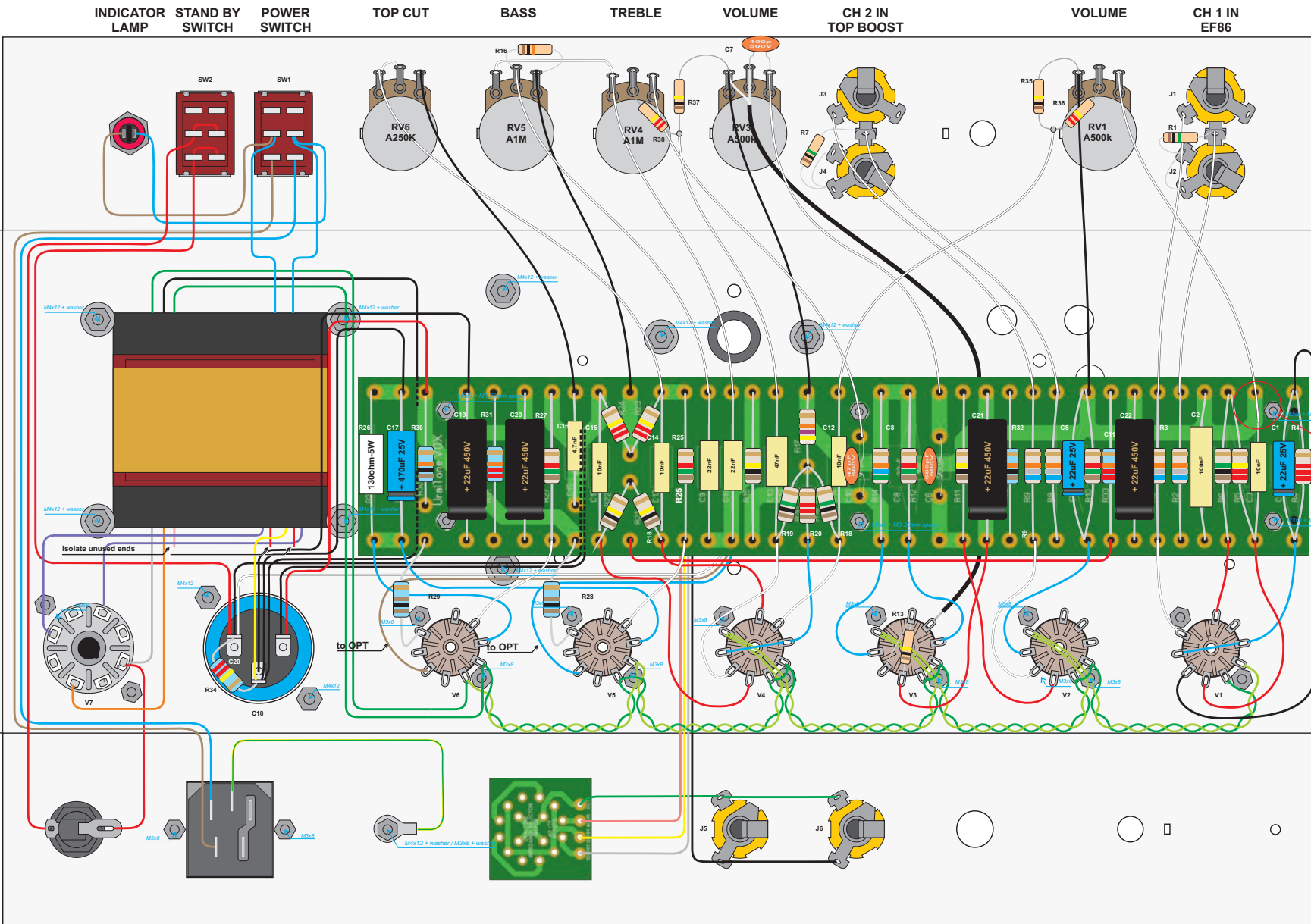


UralTone AC15 Layout



WORKAROUND FOR PCB ERROR

to volume potentiometer

Push the wire through the pad to secure it

Solder wire to capacitor

to EF86 cathode

Solder wire to pad like all components and wires

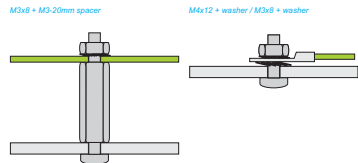
B+ FUSE
T500mA (Slow)
F1

230VAC IN
T2A (Slow)
F2

IMPEDANCE SWITCH
4 / 8 / 16 OMH

SPEAKER OUT

SPEAKER OUT



V_{AC} = DC Measure point with value, GND referred
 V_{AC} = AC Measure point with value, GND referred
 V_{AC} = AC Measure point with value, between points
 All voltages measured on the testing points are referred to GND except the heaters at tube sockets. Allowed variation on measure points is 10%.

V1 = EF86 - Input tube, CH 1
 V2 = 12AX7 - Input tube, CH2
 V3 = 12AX7 - Driver for tone, CH2
 V4 = 12AX7 - Phase splitter
 V5 = EL84 - Output tube
 V6 = EL84 - Output tube
 V7 = 5AR4 - Rectifier

— Wire above the board
 - - - Wire under the board